

# STUDIO™ Dual Rain Shower

Simple. Stylish. Affordable. A luxurious addition to your bathroom providing a hand shower, overhead shower or both at the same time.



**Features**

- Single function round showerhead.
- Multi function hand shower.
- 2 modes of operation, i.e. Overhead Shower or Hand Shower mode.
- Two check valves for backflow prevention.
- Easy clean spray nozzles.
- Slide bar with push button clamp bracket.
- Hard wearing chrome.
- Mains pressure.

**Colour/Finish**

- Polished chrome

**Material**

- Plastic and metal construction

**Included Components**

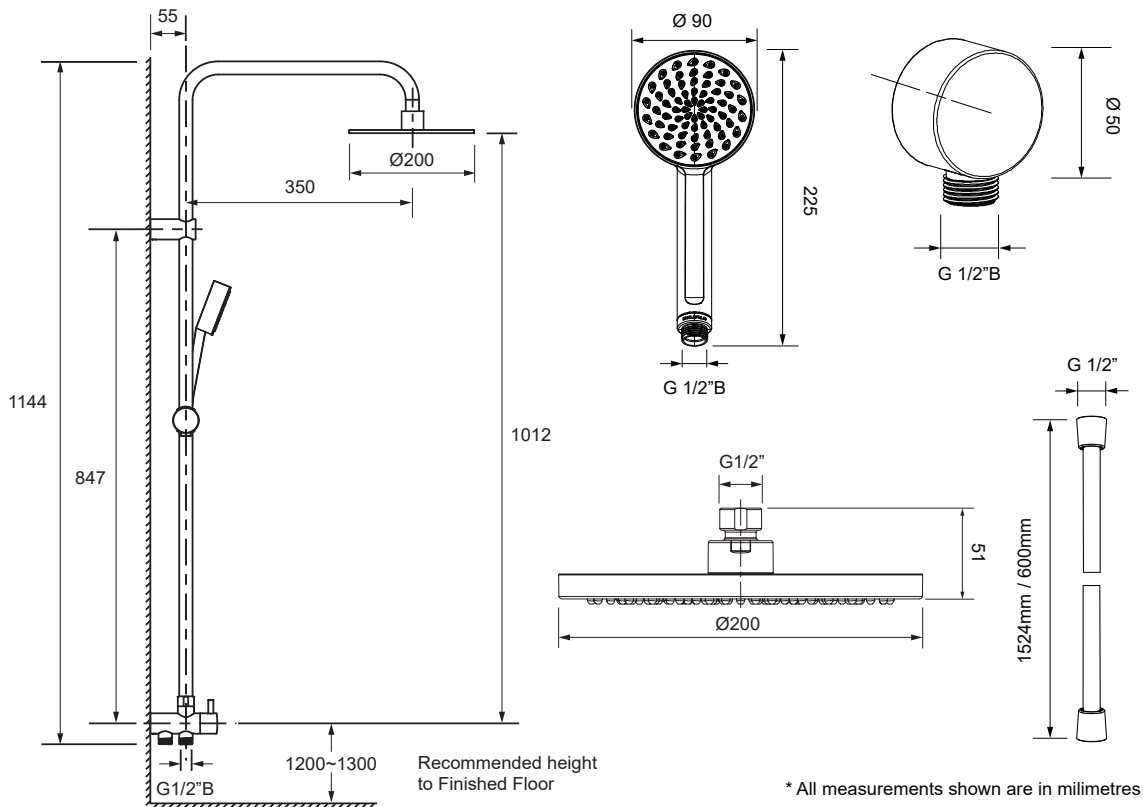
- Showhead
- Multi function handshower.
- Slide bar.
- 1.5m + 0.6m PVC shower hoses.
- Wall connecting elbow.
- Fixing kit.



MAINS PRESSURE  
WELS RATING  
(3 Star 9 Litres / min)



**Technical Details**



Product	Product Code
STUDIO Dual Rain Shower	5625A-VS-CP



Trusted in New Zealand Since 1982

**New Zealand**

133 Diana Drive, Glenfield, Auckland, New Zealand  
 PO Box 100-146 NSMC, Auckland, 0745  
 Ph: 0800 100 382 Fax: 0800 66 44 88  
 www.engefield.co.nz

**Australia**

PO Box 257, Regents Park,  
 NSW 2143, Australia  
 Ph: 1800 ENGLEFIELD (1800 364 533)  
 www.engefield.com.au

Sept 2019  
 1402804-A04-A