

# INSTALLATION INSTRUCTIONS



## TAPWARE

## Shower / Bath Mixer Unequal Pressure Installation Kit



### IMPORTANT INFORMATION

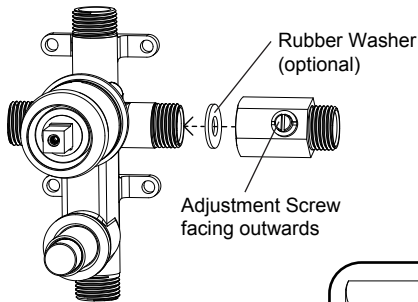
1. This Englefield shower/bath mixer is suitable for either mains pressure or unequal pressure (mains cold / low hot) installations only. It is **not suitable** for equal low pressure installations.
2. This kit is required for unequal pressure (mains cold / low hot) installations only.
3. This kit is **not required** for mains pressure installations.
4. For unequal pressure (mains cold / low hot) installations it is strongly recommended a maximum flow single function shower head (such as the ENGLEFIELD Studio SINGLE FUNCTION Slide Shower, model # 5622A-CP) is also installed to provide the best possible showering experience.
5. Minimum working pressure: Shower or Bath Mixer without diverter: 35kPa  
Shower & Bath Mixer with diverter: 75kPa
6. Optimum working pressure: 100kPa to 500kPa.
7. Maximum working pressure: 800kPa.
8. If pressure exceeds 500kPa, a pressure limiting valve must be installed.



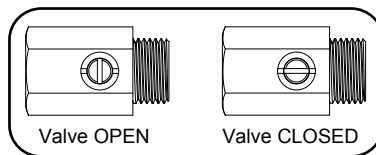
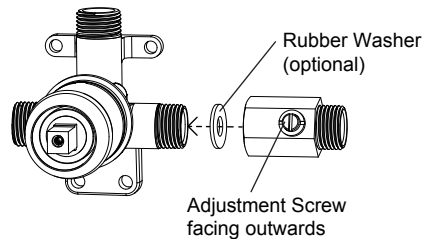
If you are building a bathroom from scratch, giving your bathroom a makeover or just replacing an old tap, Englefield can provide a solution for you.

## INSTALLATION - BALL VALVE

**Shower & Bath Mixer  
with diverter**



**Shower or Bath Mixer  
without diverter**



1. Connect the supplied Ball Valve to the Cold inlet of the mixer valve using standard methods. Ensure the adjustment screw is facing outwards for ease of access once the mixer valve has been fixed to the nog. A rubber washer is supplied for optional use as necessary.
2. Follow the "INSTALLATION – IN WALL VALVE" steps in main Installation Instructions supplied with the mixer, but do not proceed to the "INSTALLATION CHECKOUT" & "INSTALLATION – FINISHED WALL" steps.
3. Connect chosen single function maximum flow shower head to the outlet & install handle on the cartridge.
4. Check that the Ball Valve adjustment screw is set to the OPEN position – refer drawing.
5. Set the handle to the middle position & open to maximum flow.
6. Using a slotted head screw driver, gradually turn the adjustment screw on the Ball Valve towards the CLOSED position to reduce the Cold water flow. Check the water temperature & stop turning the adjustment screw once the desired water temperature has been reached.

Note that the degree to which the ball valve will need to be closed will depend on the pressure differential between the hot and cold water supplies. If the hot water pressure is very low, the ball valve will be nearly fully closed in order to achieve balanced hot and cold water flows.

7. Proceed to the "INSTALLATION CHECKOUT" steps in the main Installation Instructions supplied with the mixer.

## CONTACT INFORMATION

### NEW ZEALAND KOHLER NZ LTD

Free Ph: 0800 100 382  
Free Fax: 0800 664 488  
[www.Englefield.co.nz](http://www.Englefield.co.nz)

### AUSTRALIA KOHLER CO.

Free Ph: 1 800 ENGLEFIELD  
(1 800 364 533)  
[www.Englefield.com](http://www.Englefield.com)



**For warranty information, please visit our website**