

INSTALLATION GUIDE

VALENCIA SQUARE CORNER SHOWER



NOTE: Acrylic wall, tray and tapware not included. Supplied handles may differ from image.

SEALANT REQUIRED TO COMPLETE THIS INSTALLATION:

(Not supplied)

Sika Sikasil NG (Arctic White)

- To seal the WHITE shower door and returns to the shower tray.

Usage:

- 1 cartridge per shower

Sika Sikasil NG (Translucent)

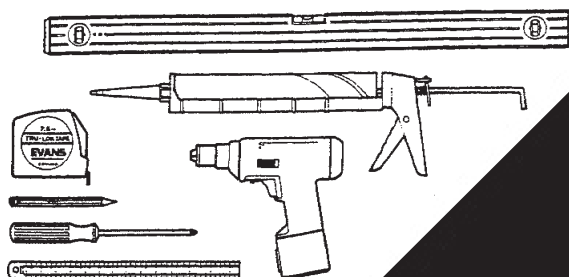
- To seal the METALLIC/BLACK shower door and returns to the shower tray.

Usage:

- 1 cartridge per shower

TOOLS REQUIRED

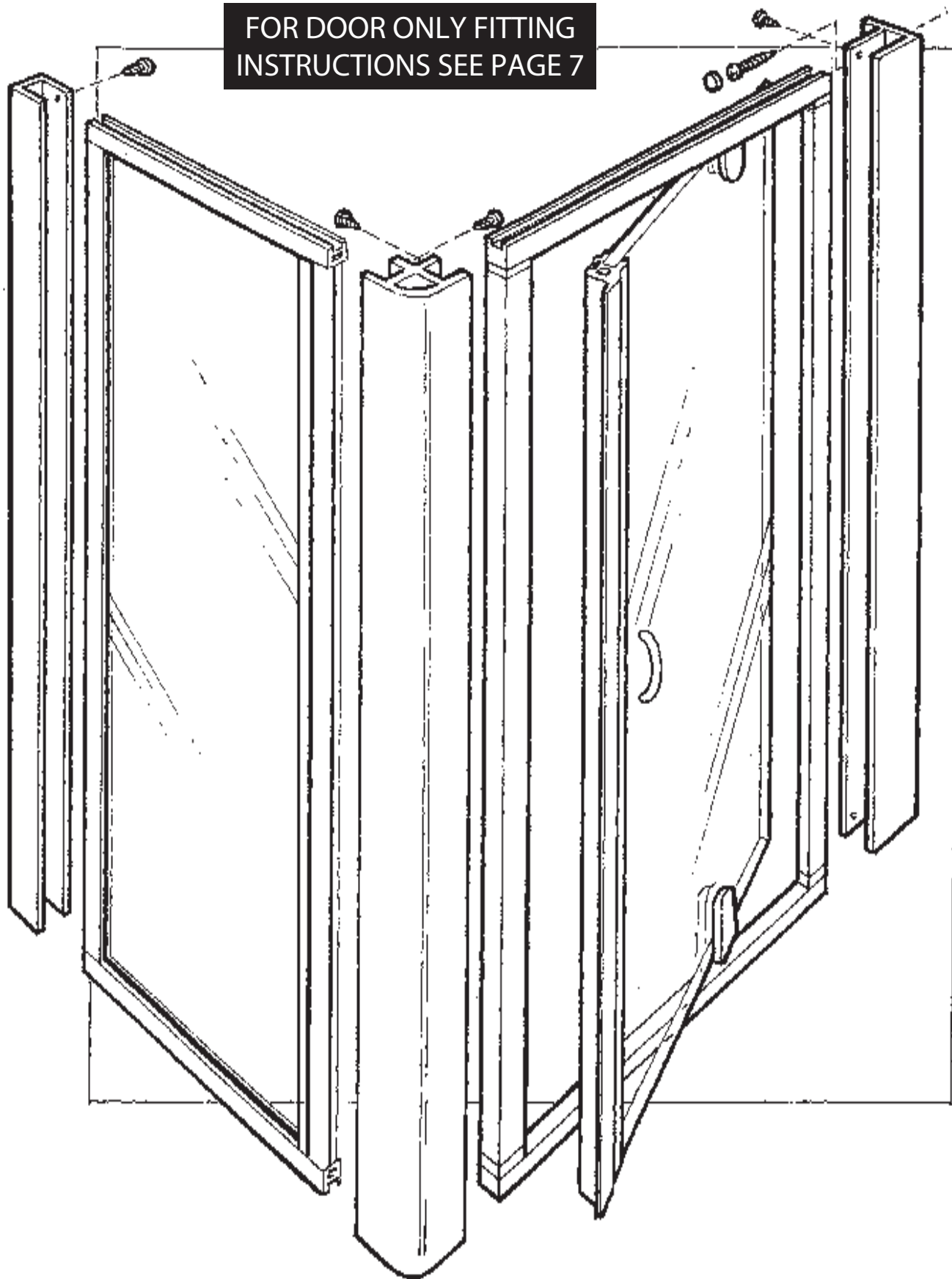
- Level
- Tape
- Pencil
- Phillips screwdriver
- Ruler
- Drill
- Caulking gun



IMPORTANT
READ ALL INSTRUCTIONS
CAREFULLY BEFORE
STARTING THE
INSTALLATION
THIS WILL ENSURE YOU
OBTAIN THE BEST
POSSIBLE
RESULTS

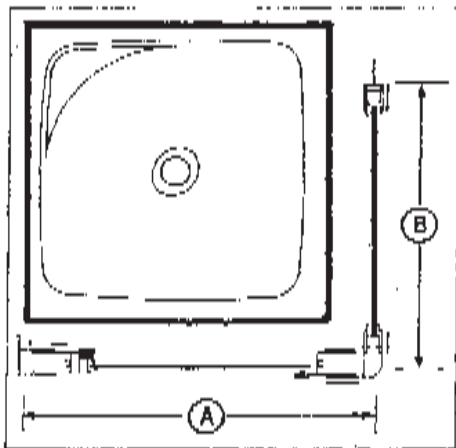
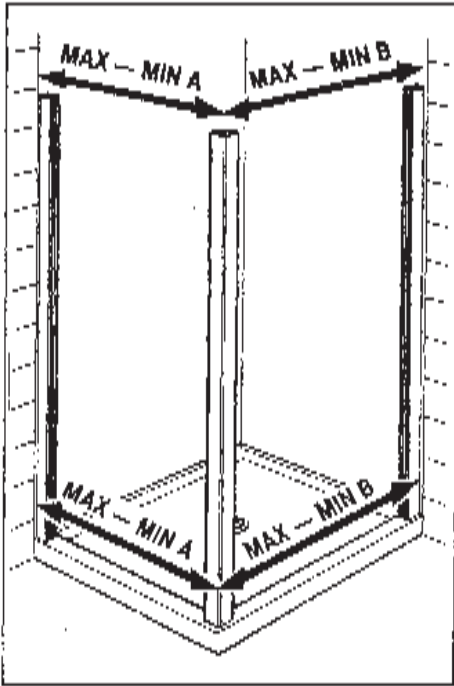
Fitting Instructions – DOOR AND RETURN

FOR DOOR ONLY FITTING
INSTRUCTIONS SEE PAGE 7



**NOTE: SHOWER TRAY MUST BE INSTALLED
AS DETAILED ON SHOWER TRAY CARTON**

1 Check the distance between the walls to ensure that the Door and Return are within the maximum and minimum enclosure tolerances.



(A)

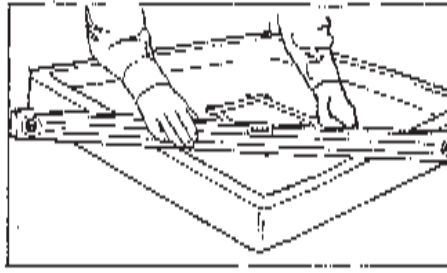
TYPE	DOOR ADJUSTMENT (mm)	
	MIN	MAX
750x900	699	741
900x750	850	892
900x900	850	892
1000x1000	950	982

(B)

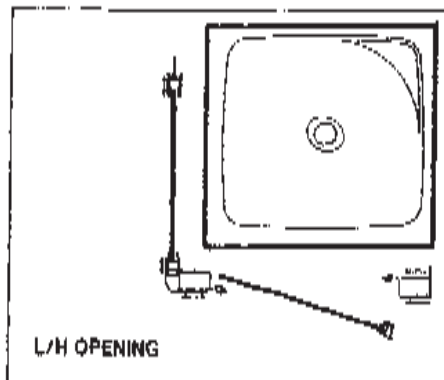
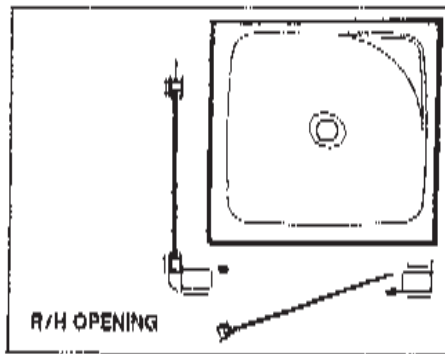
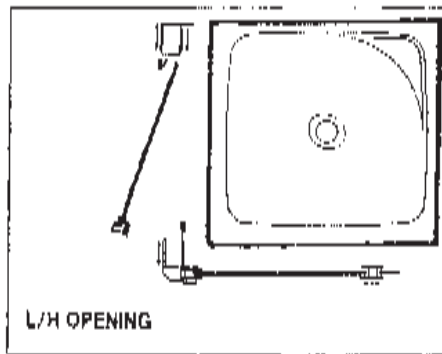
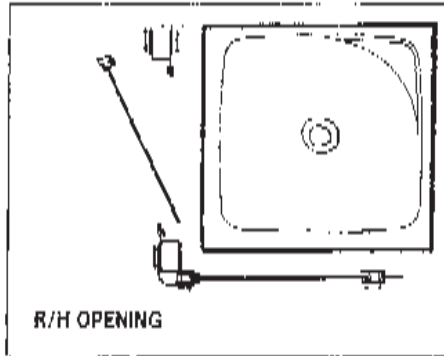
TYPE	DOOR ADJUSTMENT (mm)	
	MIN	MAX
750x900	860	881
900x750	694	736
900x900	854	875
1000x1000	960	981

2 It is recommended that the waste outlet be 'taped over' to avoid the loss of any components during installation.

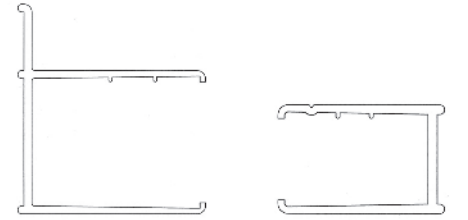
3 Shower base MUST be installed level.



4 Select preferred shower door opening and Return position.



5 Position Wall Retainer Profiles against shower walls, resting on the shower base sill. Door wall retainer must have the fixing holes towards the inside of the shower.



DOOR SIDE

RETURN SIDE

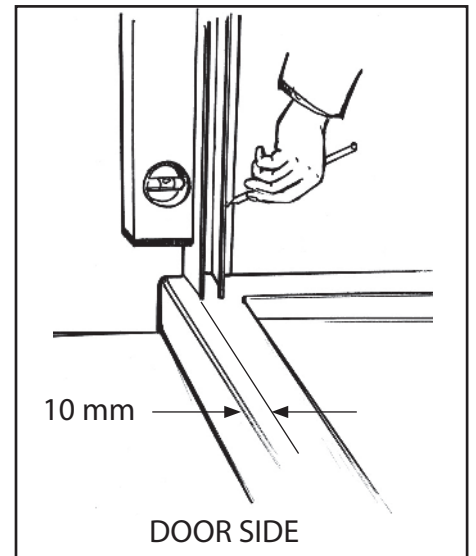
These Profiles should be located 10mm from the front edge of the shower base.

Check vertical with spirit level and mark fixing holes.

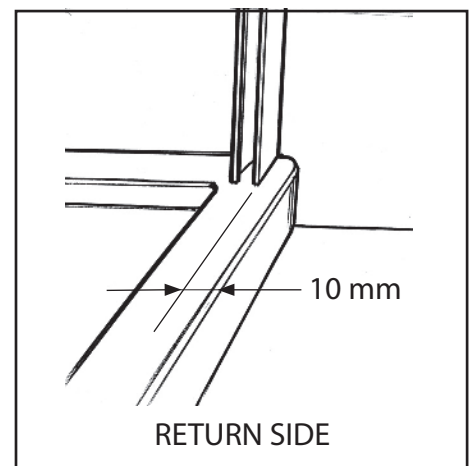
ENSURE WALL RETAINER PROFILES ARE PLUMB.

NOTE: DISCARD FROM DOOR PACK 1 X DOOR WALL RETAINER PROFILE AS THIS IS NOT REQUIRED.

(Refer to the exploded view on opposite page).

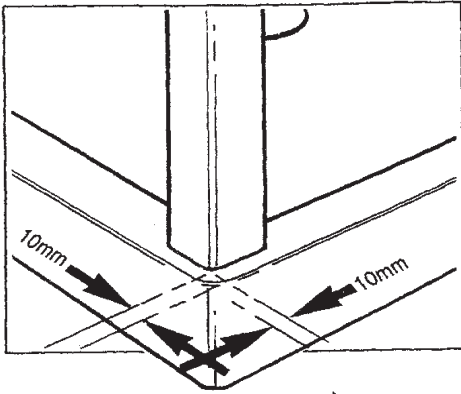


DOOR SIDE



RETURN SIDE

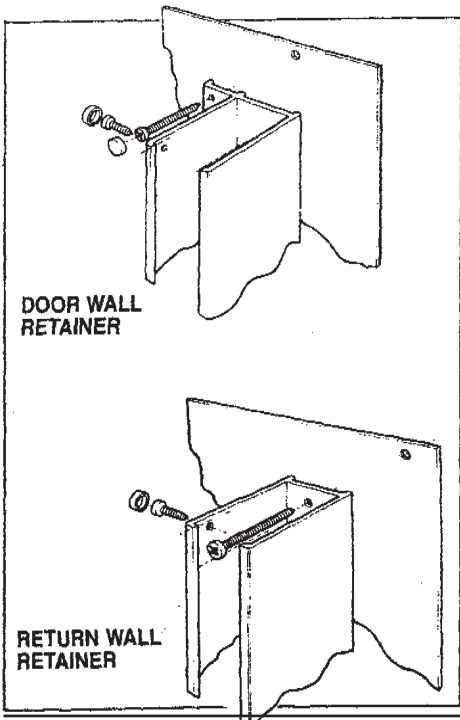
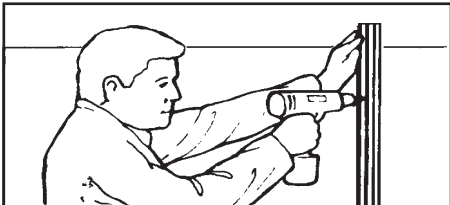
6 Mark corner of shower base 10mm in from front edges.



7 Fix both wall retainers in place using the 6 long screws. Make sure the screws go into studs.
Note: If Screwing into backing board only, use appropriate wall anchors in the wall.

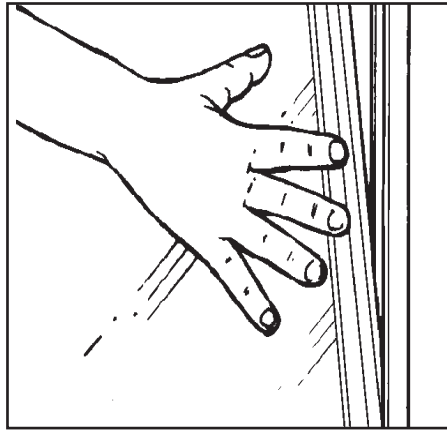
Caution: We recommend fixing the wall retainers by screwing through the backing board and into studs. Other methods may cause warping and might void warranty.

CAUTION: BEFORE DRILLING HOLES, ENSURE THERE ARE NO ELECTRICAL CABLES OR WATER PIPES BEHIND WALLS

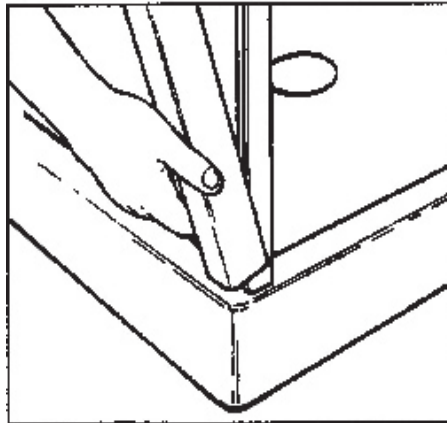


8 Insert return panel into wall retainer so that the black mark aligns with the edge of the wall retainer.

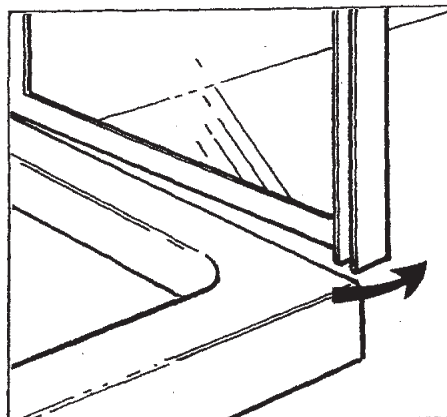
DO NOT push the PVC gasket into position at this stage.



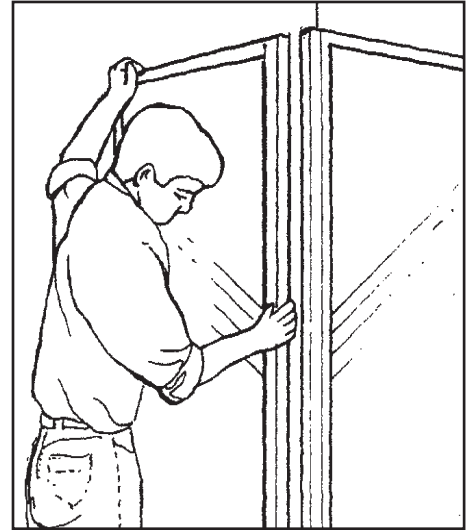
9 Fit 90° Corner Profile to Return panel Assembly and push into position.



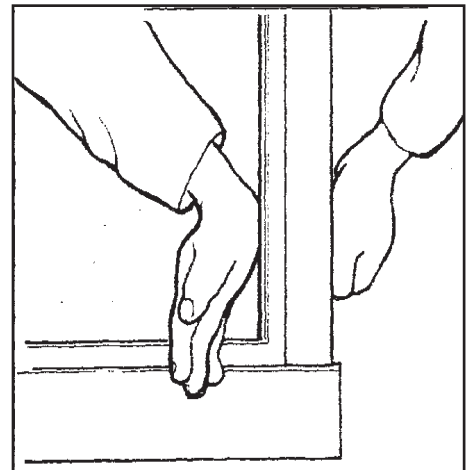
10 Move 90° Corner Post and Return Panel Assembly out to allow Door Assembly to be fitted.



11 Fit Door Assembly into Wall Retainer Profile, then re-position Corner Profile and Return Panel to Door Assembly.

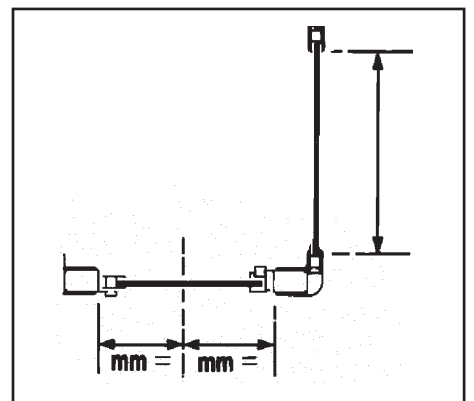


12 Re-align 90° Profile to predetermined corner position.

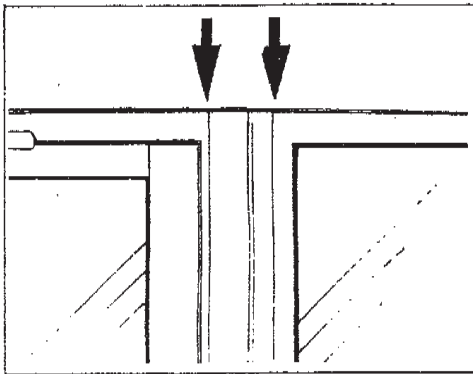
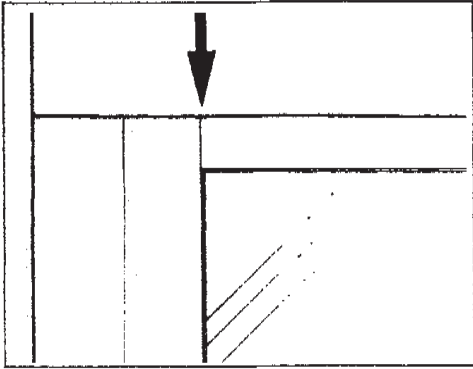


13a Centralise Door Assembly between Wall Retainer and Corner Post.

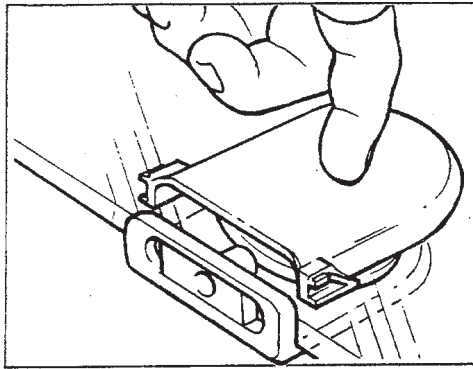
b Position Return Panel between Wall Retainer and Corner Post so that the black lines at each corner are not visible. DO NOT push the PVC gasket into position at this stage.



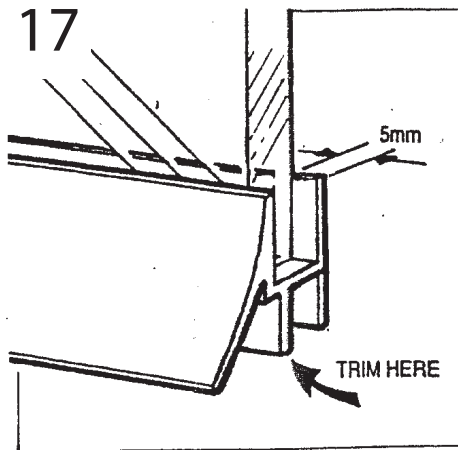
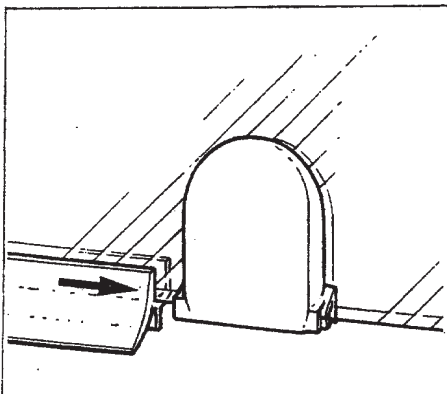
- 14** Check that the Door and Return Panel Assemblies are level with top of Wall Retainer and 90° Corner Profiles.



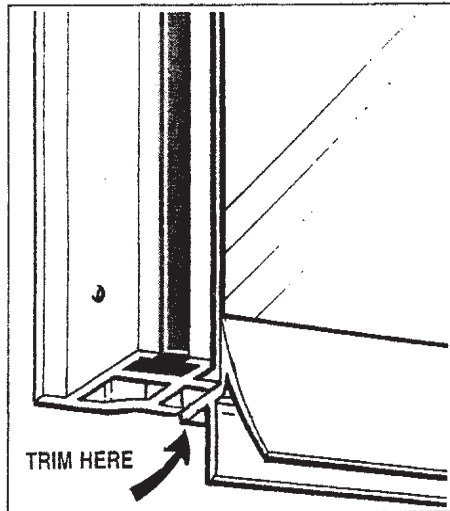
- 15** Fit top and bottom hinge caps. (Note bottom cap has 'wings').



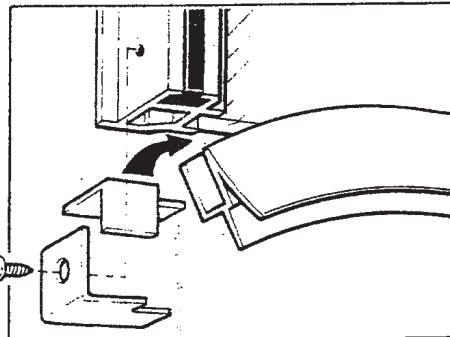
- 16** Slide drip edge seal over wing on bottom hinge cover and trim off at edge of glass. Repeat between hinge cover and extrusion fixed to door glass.



Ensure that the end of this seal just clears the Door Jamb as the door closes to create the best seal.



- 18** Prise drip edge seal off glass beside door edge extrusion enough to slip drip seal moulding underneath. (NB: drip seal moulding and retainer bracket are 'handed'.) Push drip seal firmly back onto glass and pull into contact with door edge extrusion. Clamp in place using the bracket and No. 6 screw.

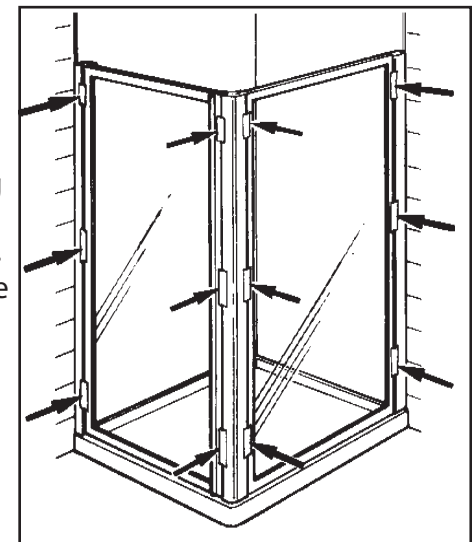
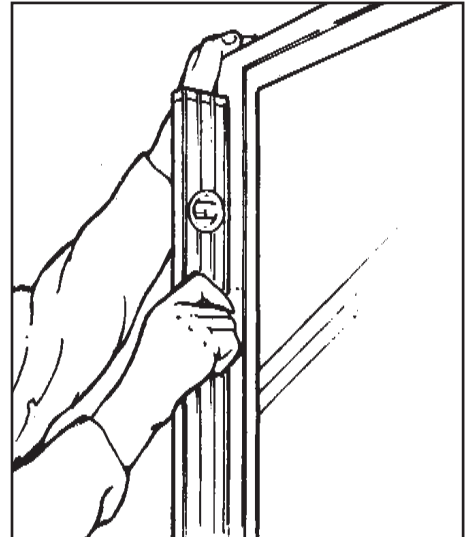


Fit the other small screw to the top hole in the door edge extrusion.

- 19** Fit handles following instructions supplied with handle.

- 20** Using spirit level, plumb Door and Return assembly and Corner Post. Tape into position as shown (tape not supplied). Check Door opens and shuts properly and the black lines on the Return assembly top and bottom rails remain hidden. Readjust if necessary.

NOTE: This is an important part of the installation procedure and your careful attention at this stage will ensure that you will obtain the best possible results.

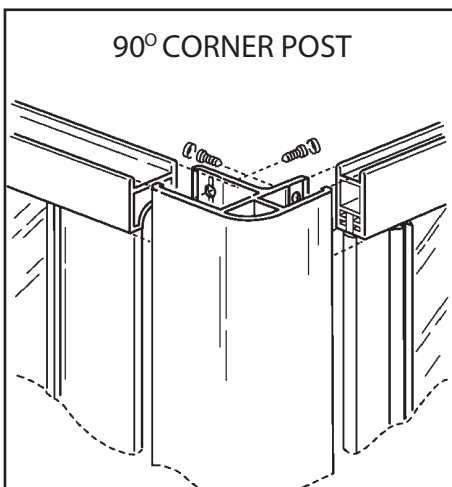
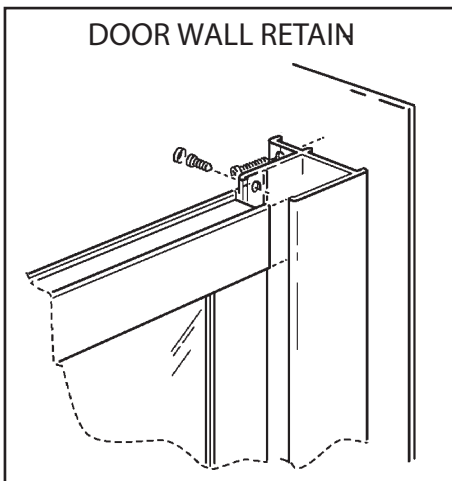
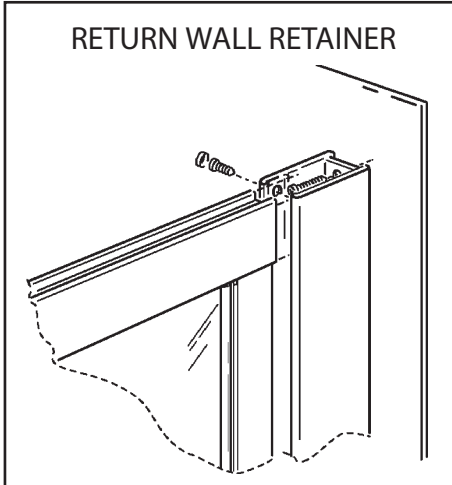


IMPORTANT
TEST THE OPENING AND CLOSING
OPERATION OF THE PIVOT DOOR

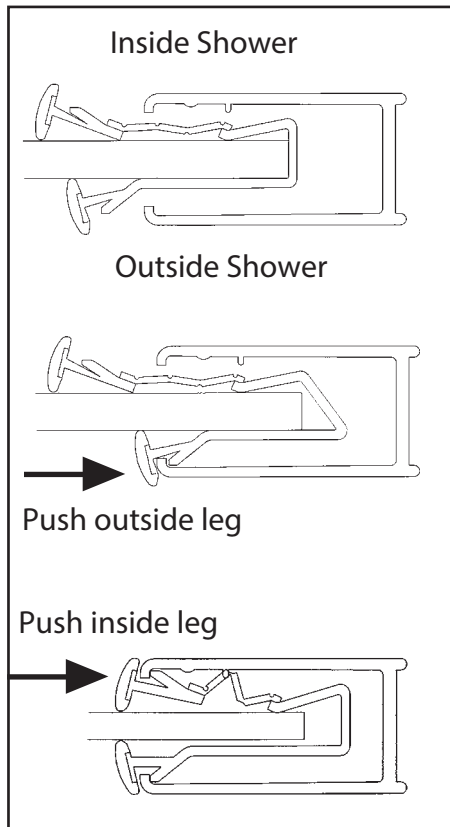
If door alignment is incorrect, door will not function properly and further adjustments are necessary. Remove tape and re-align until correct alignment is achieved.

DO NOT PROCEED TO STEP 21 UNTIL DOOR IS OPERATING CORRECTLY.

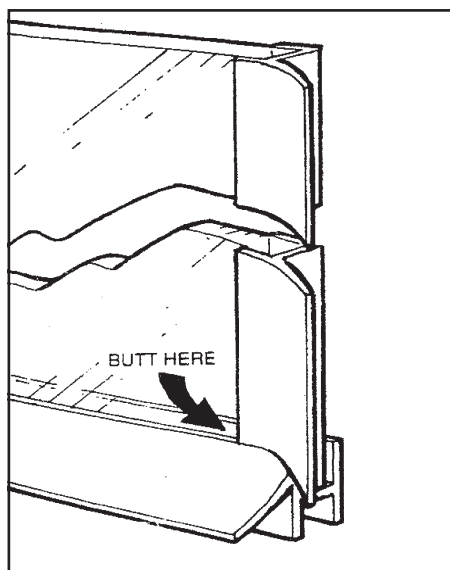
21 Drill holes (with 2.5mm drill bit, DO NOT USE A BIGGER DRILL BIT) through punched holes at top and bottom of each Wall Retainer and Corner Post to secure door and return. Make sure Door and Return assemblies do not move during this operation. Fit screw, screw caps and remove tape.



22 Position Return Panel PVC gasket by pushing outside leg into both Wall Retainer and Corner Post. It should 'snap' into place. Now push the inside leg into place.

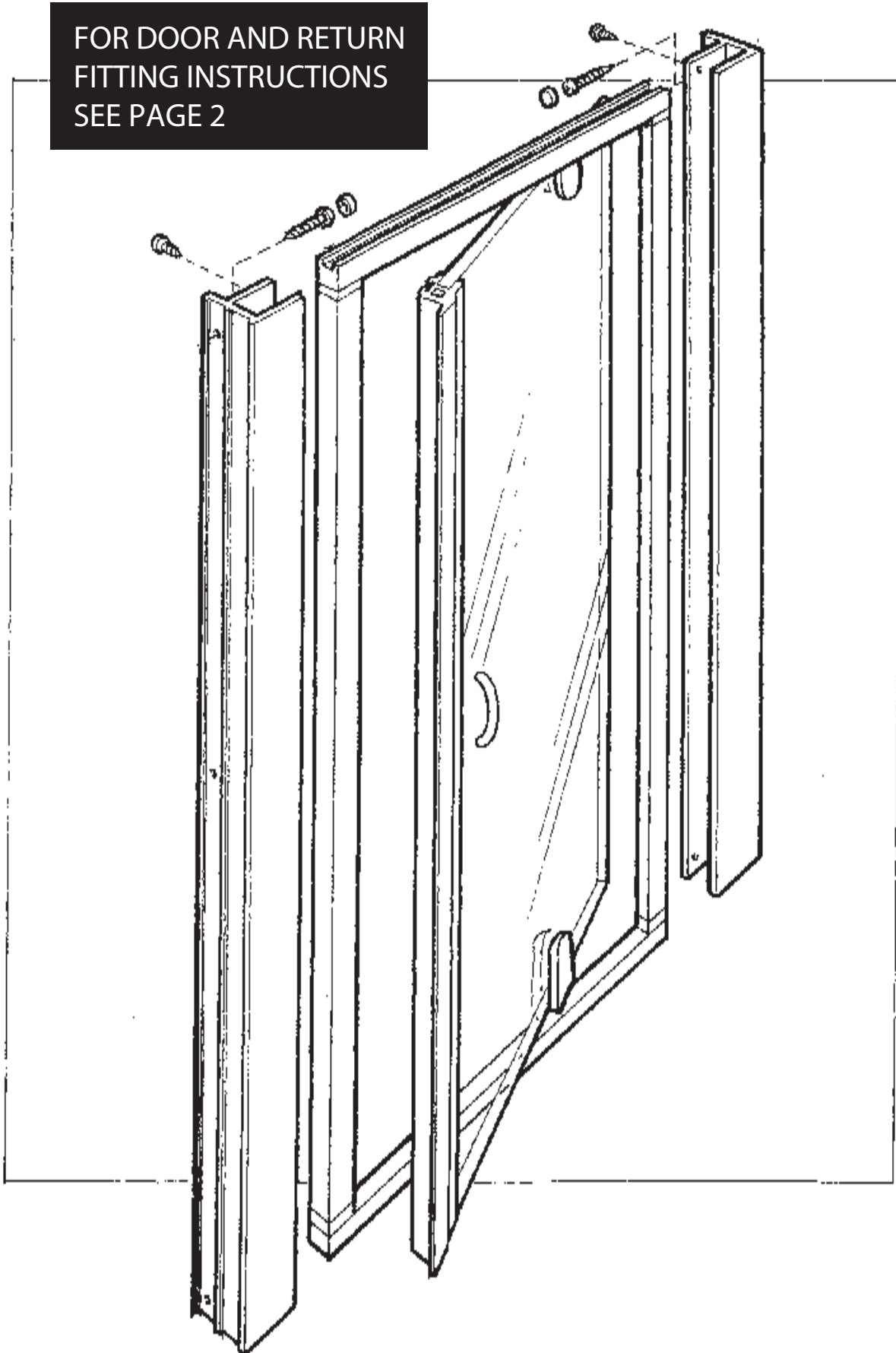


23 Fit long seal to hinge edge of glass. Flap faces into enclosure. Push down to butt against bottom seal. Trim to top of glass.



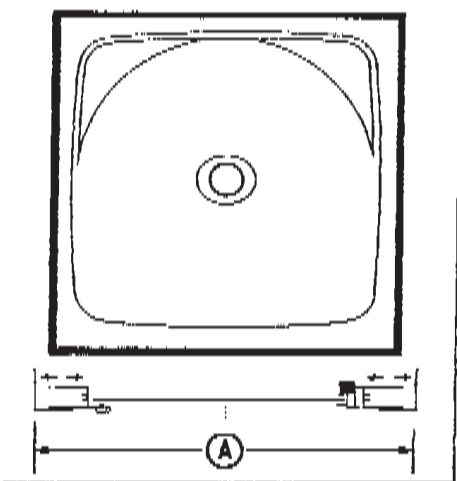
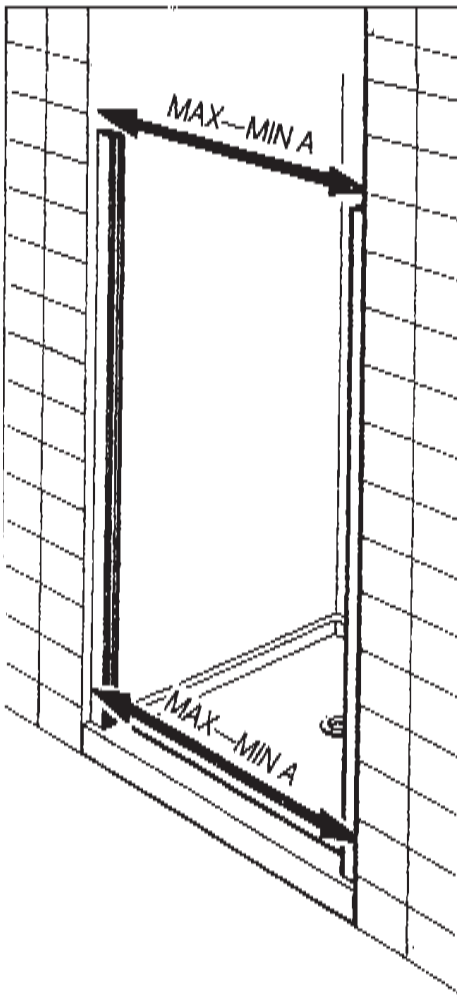
Fitting Instructions – DOOR ONLY

FOR DOOR AND RETURN
FITTING INSTRUCTIONS
SEE PAGE 2



**NOTE: SHOWER TRAY MUST BE INSTALLED
AS DETAILED ON SHOWER TRAY CARTON**

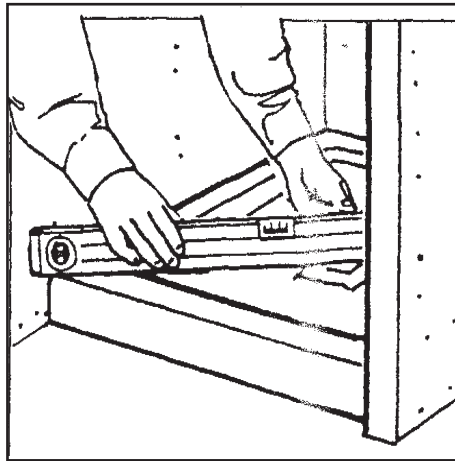
1 Check the distance between the walls to ensure they are within the maximum and minimum enclosure adjustment tolerances.



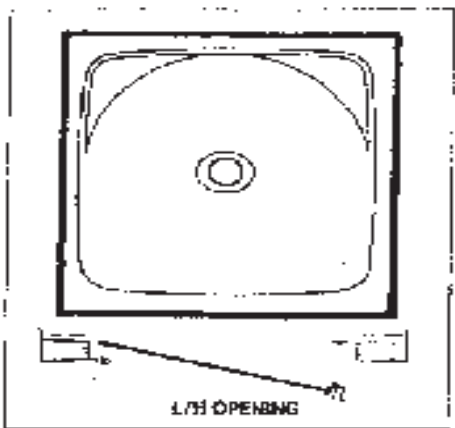
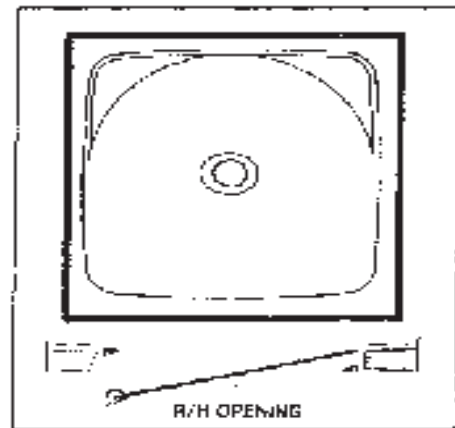
TYPE	ADJUSTMENT TOLERANCE (mm)	
	MIN	MAX
750 mm	706	744
900 mm	836	874
1000 mm	936	974

2 It is recommended that the waste outlet be 'taped over' to avoid the loss of any components during installation.

3 Shower base MUST be installed level.



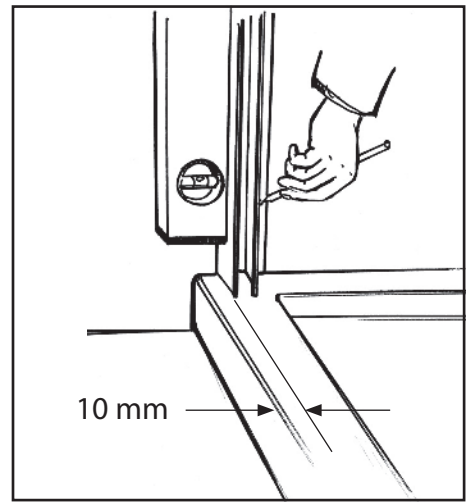
4 Select preferred shower door opening. It is recommended to start the installation from the hinge side of the door.



Position the door wall Retainer Profile against shower wall, resting on the shower base sill with fixing holes facing towards the inside of the shower.

The Profile should be located 10mm from the front of the shower base. Check vertical with spirit level and mark fixing holes.

ENSURE WALL RETAINER PROFILE IS PLUMB.

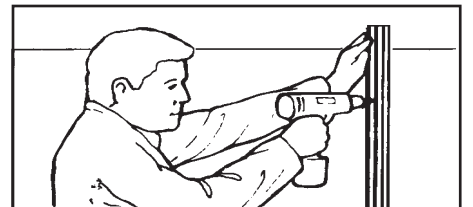


5 Fix hinge side wall retainer in place using 3 of the 6 long screws. Make sure the screws go into studs.

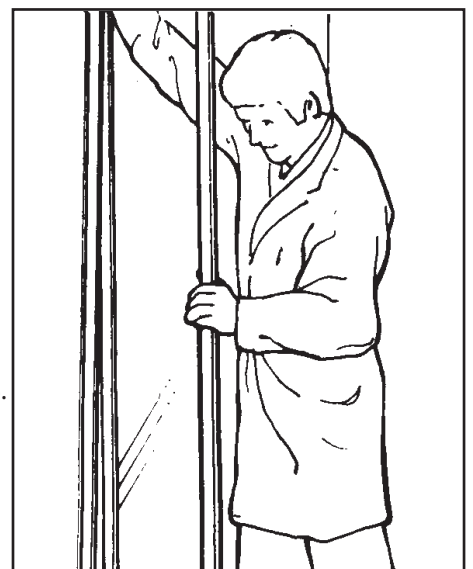
Note: If screwing into backing board only, use appropriate wall anchors in the wall.

CAUTION: We recommend fixing the wall retainers by screwing through the backing board and into studs. Other methods may cause warping and might void warranty.

CAUTION: BEFORE DRILLING HOLES, ENSURE THERE ARE NO ELECTRICAL CABLES OR WATER PIPES BEHIND WALLS



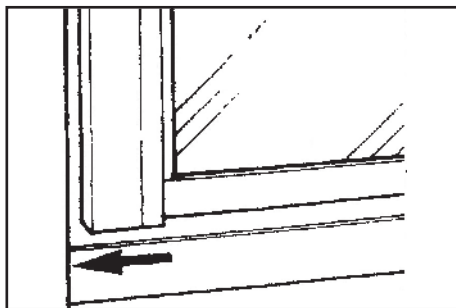
6 Lift door panel onto the tray and slide it hinge side into the wall retainer. Push it hard against the wall.



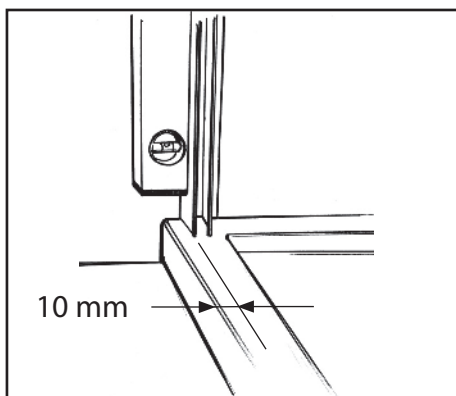
7 Attach second Wall Retainer Profile to Door Assembly.



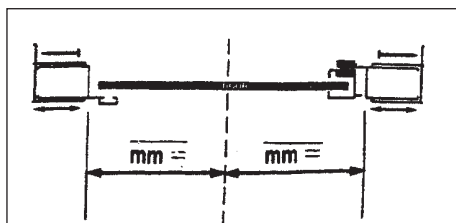
8 Slide Wall Retainer Profile into position against the wall.



Locate the profile 10mm from the front of the shower base. Check vertical with spirit level and fix retainer to the wall using the remaining long screws. Ensure the screws go into the stud. Fit all 6 screw caps.

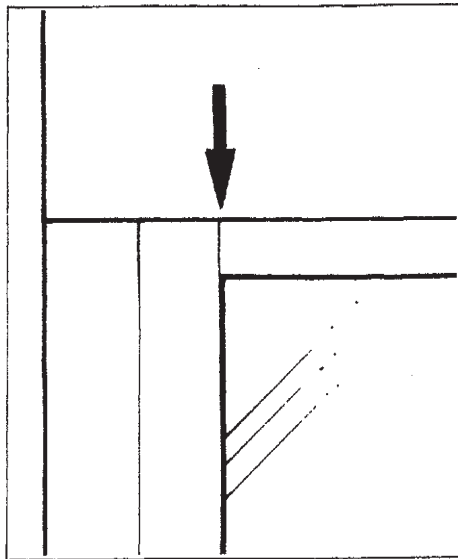


9 Centralise Door Assembly between Wall Retainer Profiles.

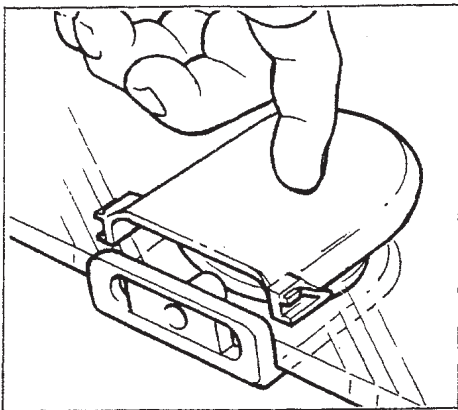


10 Check that the Door Assembly and the Wall Retainer Profile top edges are level.

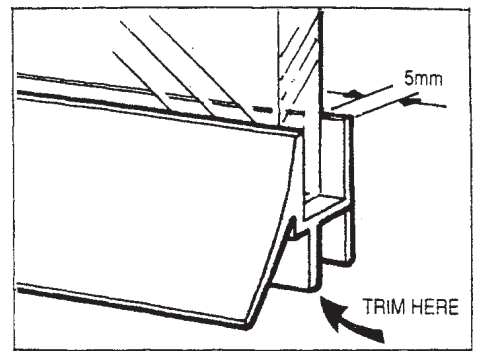
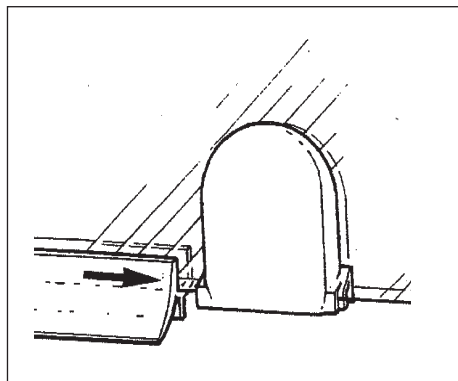
NOTE: DOOR ASSEMBLY MUST BE PLUMB USING A SPIRIT LEVEL.



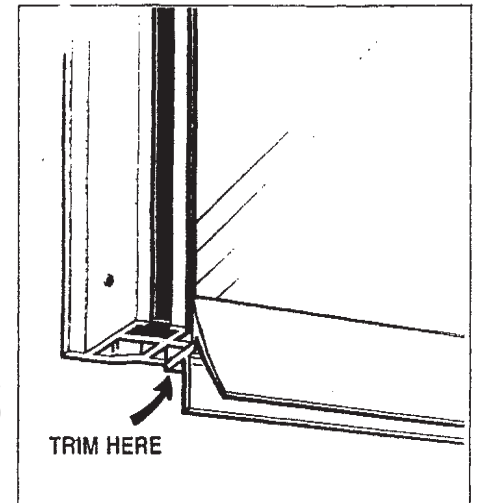
11 Fit top and bottom hinge caps. (Note: bottom cap has 'wings'.)



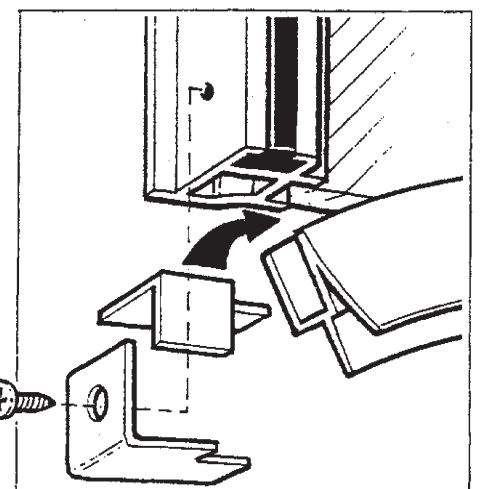
12 Slide drip edge seal over wing on bottom hinge cover and trim off at edge of glass. Repeat between hinge cover and extrusion fixed to door glass.



Ensure the end of this seal just clears the Door Jamb as the door closes to create the best seal.

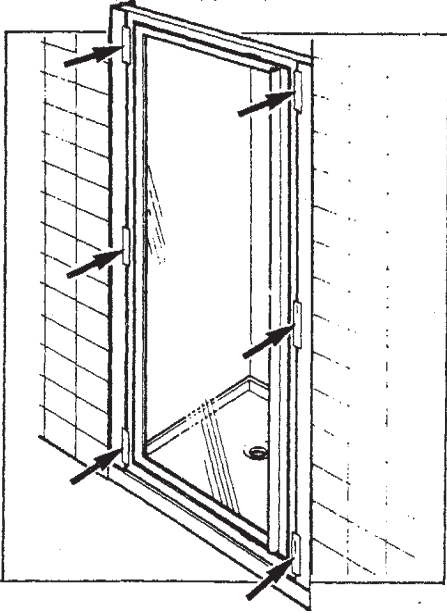


13 Prise drip edge seal off glass beside door edge extrusion enough to slip drip seal moulding underneath. (Note: Drip seal moulding and retainer and 'handed'). Push drip seal firmly back onto glass and pull into contact with door edge extrusion. Clamp in place using the bracket and No. 6 screw.



Fit the other small screw to the top hole in the door edge extrusion.

14 Using spirit level plumb Door Assembly. Tape into position as indicated.



NOTE: This is an important part of the installation procedure and your careful attention at this stage will ensure that you will obtain the best possible results.

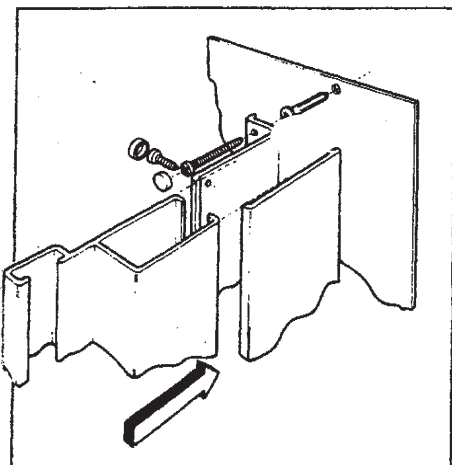
IMPORTANT

TEST THE OPENING AND CLOSING OPERATION OF THE PIVOT DOOR.

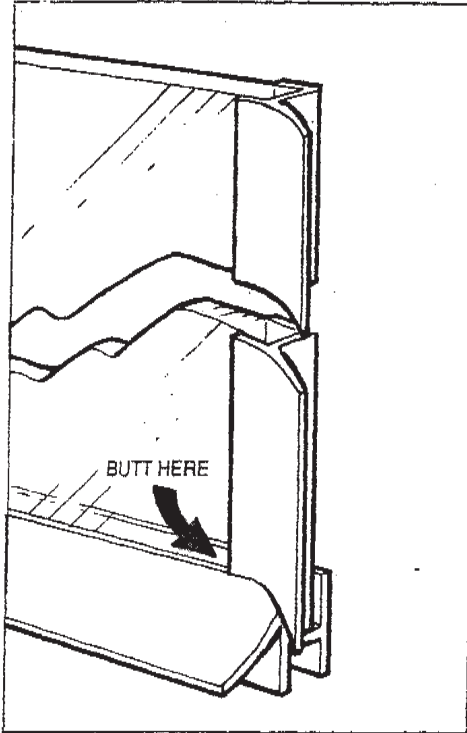
If door alignment is incorrect, door will not function properly and further adjustments are necessary. Remove tape and re-align until correct alignment is achieved.

DO NOT PROCEED TO STEP 15 UNTIL DOOR IS OPERATING CORRECTLY.

15 Drill holes (use 2.5mm drill bit, DO NOT USE A BIGGER DRILL BIT) through punched holes at top and bottom of each wall retainer to secure door. Fix screws as pictured. Fit caps & remove positioning tape.



16 Fit long seal to hinge edge of glass. Flap faces into enclosure. Push down to butt against bottom seal. Trim to top of glass.



17 Fit handles following instructions supplied with handle.

18 SILICONE APPLICATION

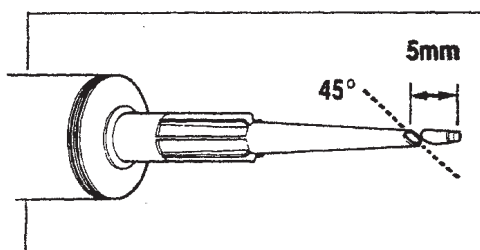
Ensure all joints are clean and dry before applying sealant.

For sealant application, follow steps (a) to (e) below.

IMPORTANT

For metallic/black finish showers, clear silicone is required. For white finish showers, white silicone is required.

(a) Cut tip of Silicone Tube Nozzle at 45° angle.



(b) Hold tube at 45° angle and push forward as sealant fills the joint.

(c) The surface of the sealant can be smoothed (before surface dries) by using a gloved finger dipped in a small quantity of water with one drop of washing-up liquid added.

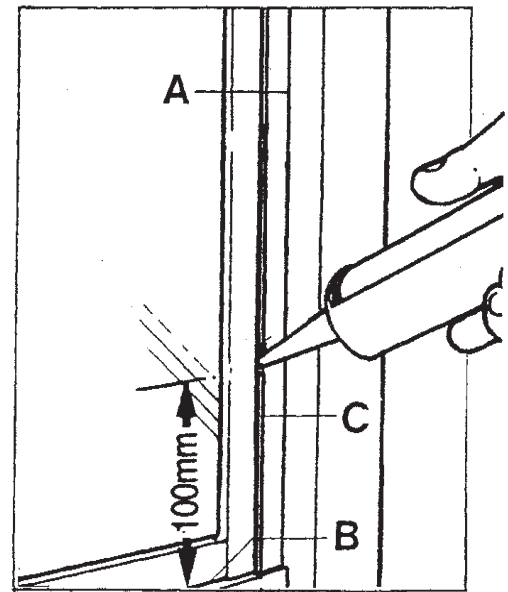
(d) Excess silicone should be removed immediately with a damp cloth.

(e) Allow the silicone 24 hours to cure before using the enclosure.

CAUTION: Avoid contact with skin, eyes and mouth and avoid breathing vapour. If in eyes, immediately flush with water. If irritation persists, seek medical attention. Keep out of reach of children.

IMPORTANT

SILICONE SEALANT SHOULD BE APPLIED TO ALL OUTSIDE JOINTS. DO NOT SEAL FROM INSIDE.



Seal these areas:

A - Full height between retainers and walls.

B - Between door sill and tray.

C - Between retainer and door jamb to a height of 100mm.

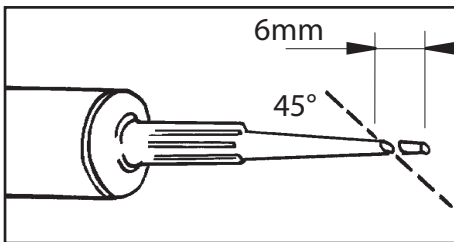
PART THREE SEALANT APPLICATION

Ensure all joints are clean and dry before applying sealant.

1. SEALANT APPLICATION STEPS

For sealant application, follow steps (a) to (e) detailed below.

(a) Cut tip of silicone tube nozzle at 45° angle.



(b) Hold the tube at 45° angle & push forward as sealant fills the joint

(c) The surface of the sealant can be smoothed (before surface dries) by using a gloved finger dipped in a small quantity of water with one drop of washing liquid added.

(d) Excess sealant should be removed immediately with a damp cloth.

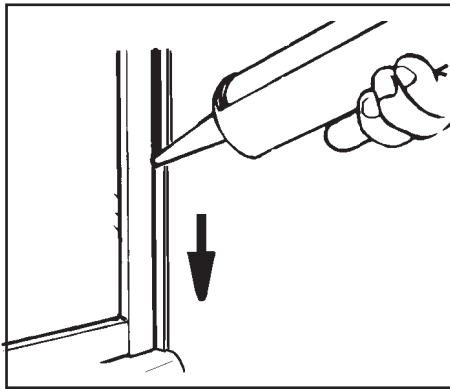
(e) Allow the silicone 24 hours to cure before using the enclosure.

CAUTION: Avoid contact with skin, eyes and mouth and avoid breathing vapour. If in eyes, immediately flush with water. If irritation persists, seek medical attention. Keep out of reach of children.

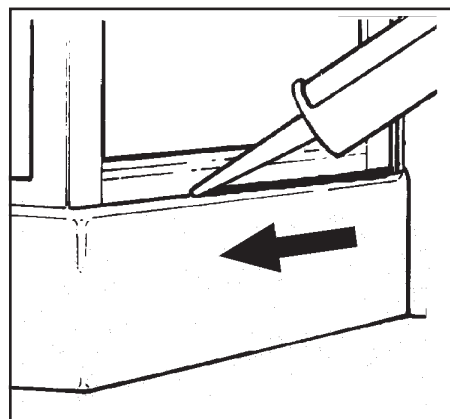
IMPORTANT

SIKASIL NG SEALANT SHOULD BE APPLIED TO ALL OUTSIDE JOINTS. DO NOT SEAL FROM INSIDE.

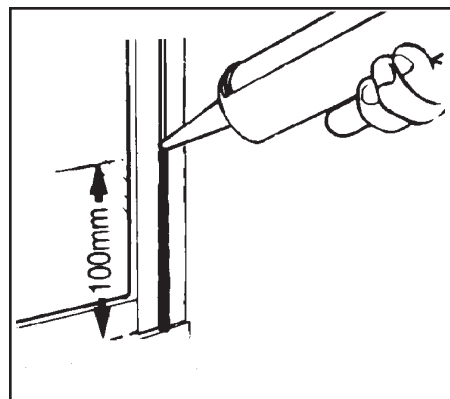
2a. Seal full height of the joint between the Walls and the Wall Retainers.



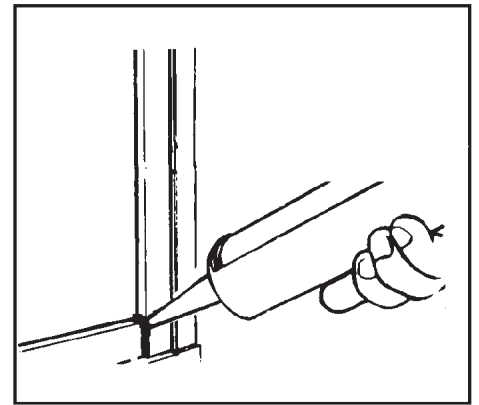
b. Seal joint between the Door Sill, the Return Panel and the Shower Tray.



c. To a height of 100mm, seal joints between Door Frame & Corner Post and Door Frame & Wall Retainer.



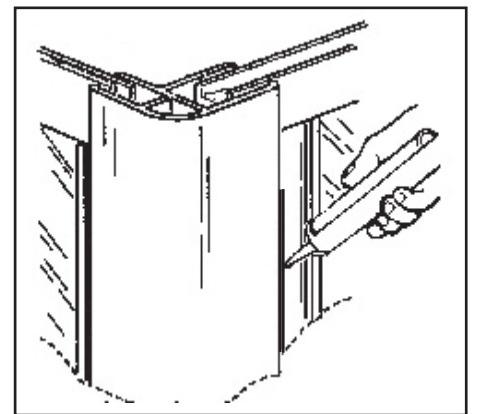
d. Seal up to the PVC gasket joints between Return Panel & Corner Post and Return Panel & Wall Retainer.



IMPORTANT

ALLOW 24 HOURS FOR SEALANT AND ADHESIVE TO CURE BEFORE USING THE SHOWER.

e. On metallic finish showers, seal the joint between Corner Post and Door Jamb.



CLEANING AND MAINTENANCE INSTRUCTIONS

Please refer to our website for cleaning instructions.

CONTACT AND WARRANTY INFORMATION

NEW ZEALAND KOHLER NZ LTD

Free Ph: 0800 100 382
Free Fax: 0800 664 488
www.inglefield.co.nz

AUSTRALIA KOHLER CO.

Free Ph: 1 800 ENGLEFIELD
(1 800 364 533)
www.inglefield.com

For warranty information, please visit our website.



Trusted in New Zealand Since 1982