

Mirage™ Close Coupled Toilet Suite

The Mirage toilet is a close coupled toilet suite featuring a water-saving 4.5/3 litre dual flush cistern and concealed S-Trap, or P-Trap pans.



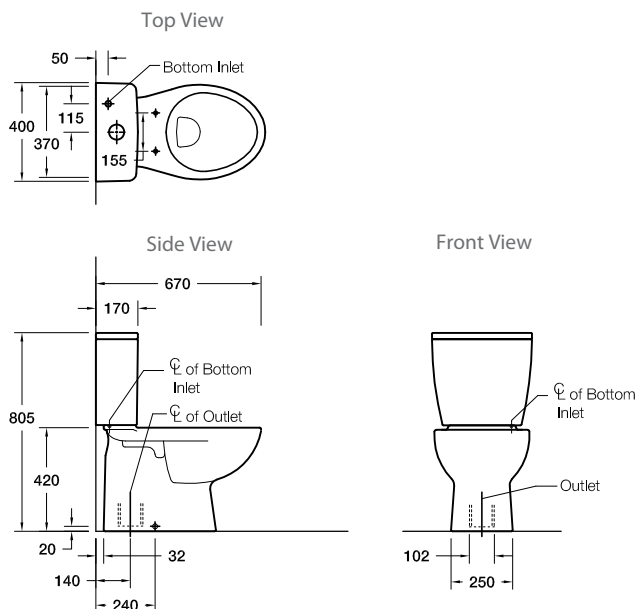
- Colour/Finish** White
- Material** Vitreous China
- Included Components** Mirage Toilet Tank 4.5/3L
Mirage Toilet Pan S-Trap or P-Trap 4.5/3L
Mirage Toilet seat with Metal Hinge
- S - Trap installation** Set out: 140mm
- P - Trap installation** Set out: 185mm
- Water Inlet** Bottom Right Hand.
- WELS Rating** 4 star - 4.5/3 litre dual flush



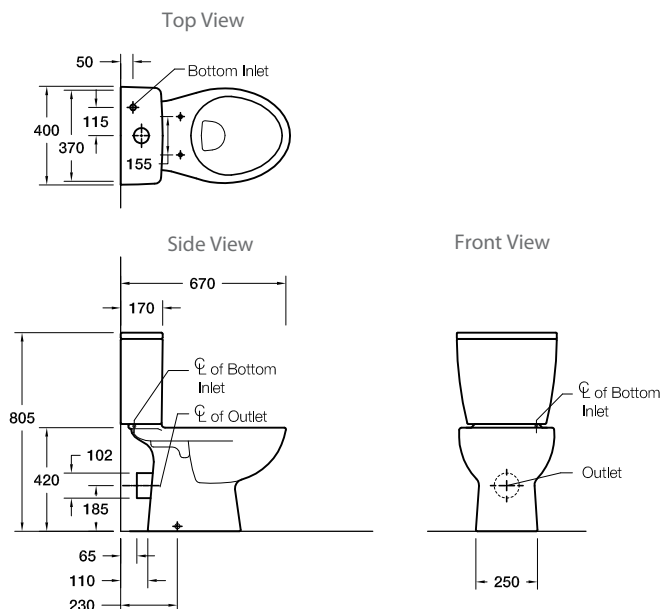
WELS RATING
(4 Star 3.4 L av. flush)

Product	Code
Mirage S-Trap	12756A-0
Mirage P-Trap	12757A-0

Mirage S-Trap



Mirage P-Trap



All measurements shown are in millimetres.
 Sizes are approximate.
 1183765-A04-A April 2011



New Zealand
 133 Diana Drive, Glenfield, Auckland, New Zealand
 PO Box 100-146 NSMC, Auckland
 Ph: 0800 100 382 Fax: 0800 66 44 88
 www.englefield.co.nz