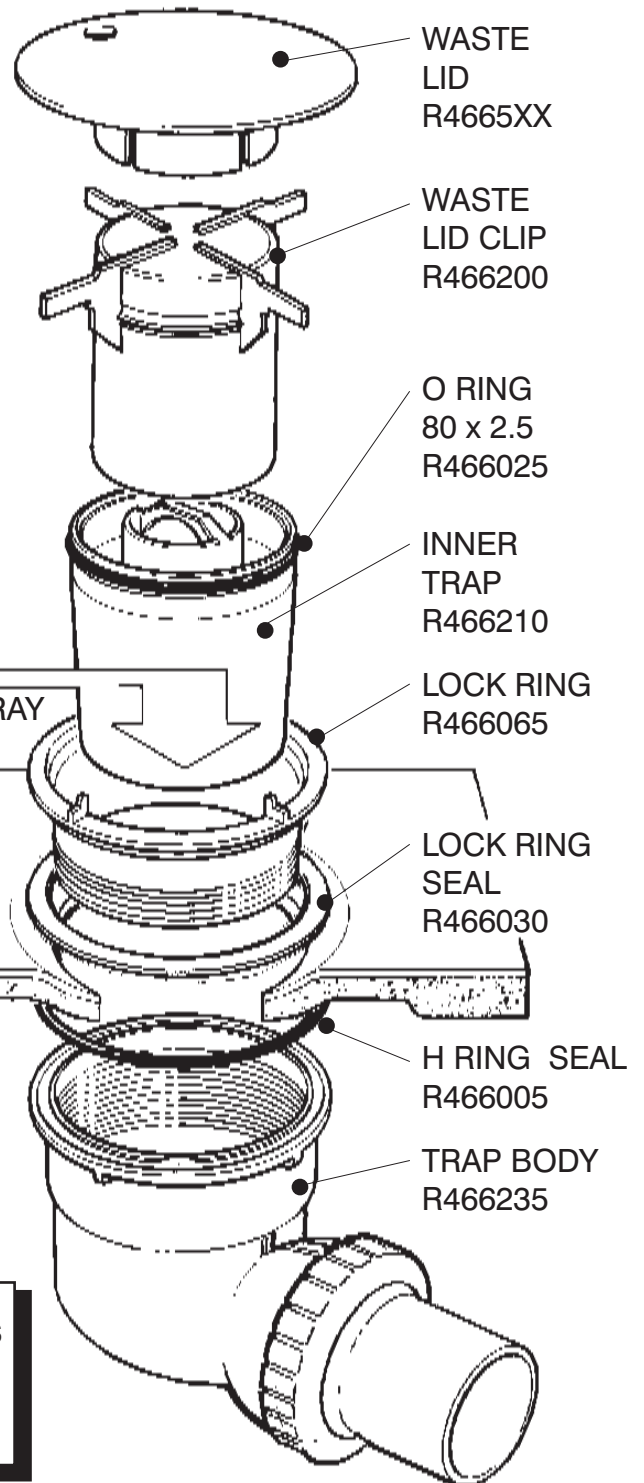
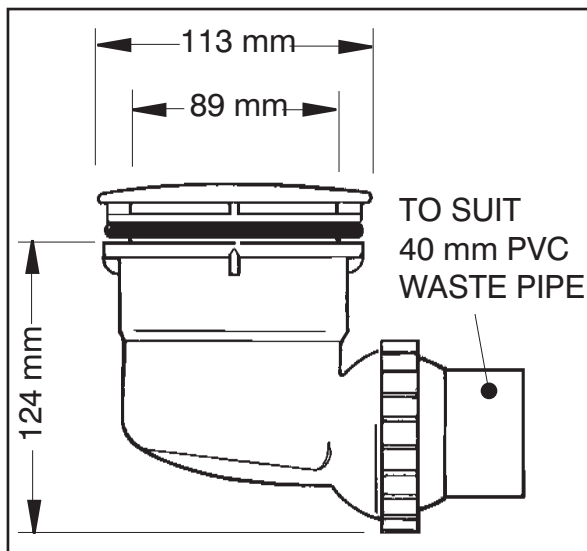
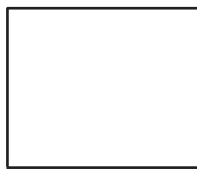
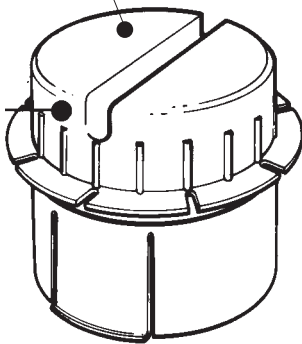


Fitting and Maintenance Instructions

Easy Clean Trap

LOCK RING TOOL
R466105



NOTE: If during installation the swivel outlet is dismantled from the trap body, ensure that all parts are cleaned before reassembly.

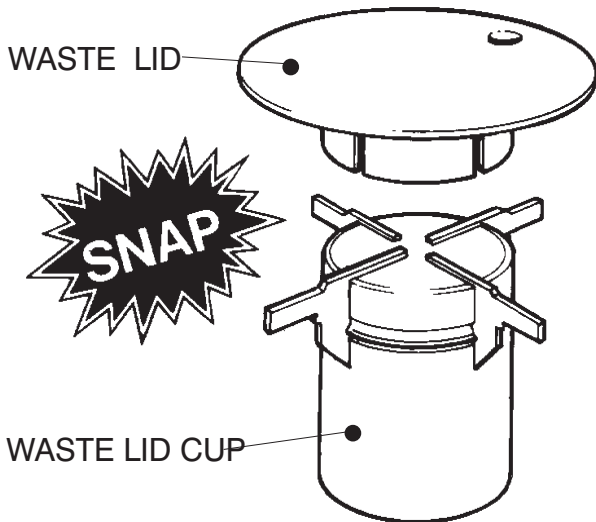
IMPORTANT

All installation must comply with Council and Local Authority By-laws. It is the responsibility of the installer to ensure that the trap is made watertight.

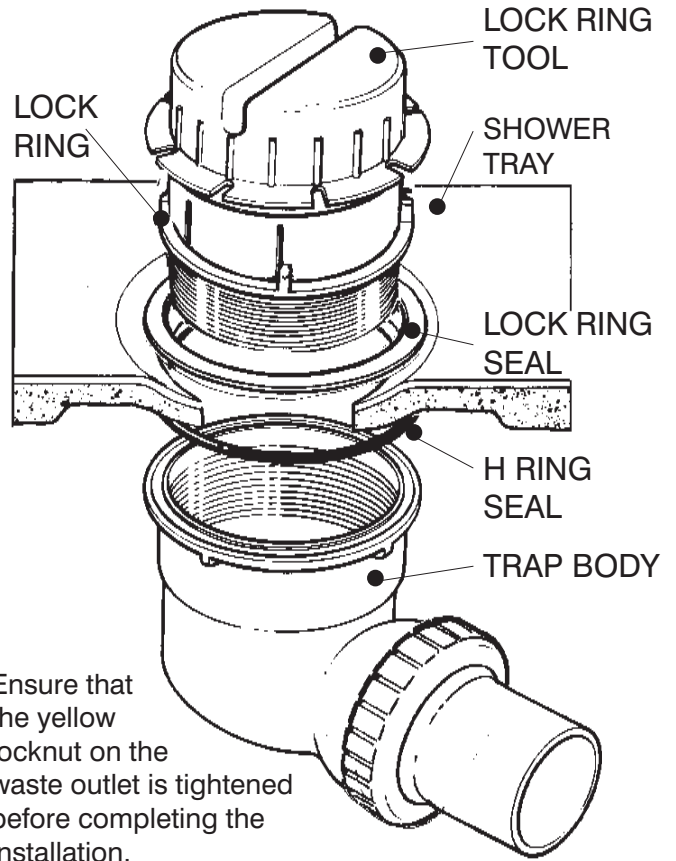
INSTALLATION

It is recommended that the **EASY CLEAN TRAP** is fitted to the shower tray prior to installation.

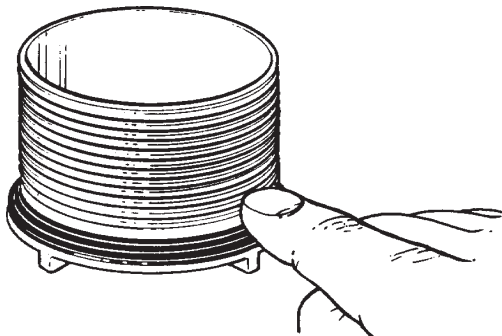
- 1** Align fingers on CUP with slots in WASTE LID. Then snap fit together.



- 3** Fit EASY CLEAN TRAP to SHOWER TRAY. Use LOCK RING TOOL to tighten LOCK RING against 'O' RING and TRAP BODY. Remove LOCK RING TOOL before SNAP fitting WASTE LID assembly. (Refer step 3 below.)



- 2** Ensure lock ring seal is correctly fitted as shown above.



MAINTENANCE AND CLEANING

- 1** GENTLY prise WASTE LID assembly from LOCK RING in shower base.



- 2** Remove INNER TRAP. Remove any obstruction then wipe clean.



- 3** Replace INNER TRAP, then replace and rotate WASTE LID assembly until it SNAPS into place.



SALES & SERVICE: NEW ZEALAND

KOHLER NZ LTD.

Ph (09) 980 6800 Fax (09) 980 6899
 Free ph: 0800 100 382
 Free fax: 0800 664 488
 info@kohler.co.nz
 www.kohler.co.nz

AUSTRALIA

KOHLER CO

Free ph: 1 300 362 284
 Free fax: 1 300 652 284
 info@kohler.com.au
 www.au.kohler.com