



Trusted in New Zealand Since 1982

## CABRIOLE

# CABRIOLE

## UNDER COUNTER KITCHEN SINK CUT-OUT TEMPLATE / INSTALLATION INSTRUCTIONS

72073A-S-NA CUT-OUT SIZE: 829 x 399mm

72055A-S-NA CUT-OUT SIZE: 549 x 399mm

72065A-S-NA CUT-OUT SIZE: 339 x 399mm

SKU	PHOTO	DIMENSION	CUT-OUT SIZE
72065A-S-NA CABRIOLE SINGLE BOWL		430 x 370mm	339 X 399mm
72055A-S-NA CABRIOLE 1 1/4 BOWL		580 x 430mm	549 x 399mm
72073A-S-NA CABRIOLE DOUBLE BOWL		860 x 430mm	829 x 399mm

CAUTION: Sink edge may be sharp; handle with caution.  
Do not install a damaged sink-inspect carefully.

NOTE: THIS TEMPLATE IS ONLY A GUIDE.  
ACTUAL SINK SHOULD BE PRESENT TO ENSURE PERFECT CUT OUT.

### CARE AND CLEANING

#### Stainless Steel

Rinse your stainless steel sink thoroughly after each use, and use a dabbing action to dry with a clean, soft cloth. Clean stainless steel once a week.

Always apply stainless steel cleaner/polish with a nonabrasive cloth or sponge, working with, not across the grain. **Do not** use steel wool, wire brushes or abrasive pads to clean your sink.

If you use cleaners containing chlorides, be sure to rinse the surface immediately after you clean it to avoid corrosion. **Do not** allow cleaners to remain in contact with the sink surface for long periods of time.

Kohler kitchen sink accessories, including bottom basin racks, wire rinse baskets, cutting boards and colanders will help protect the surface of your sink.

If the surface becomes excessively dirty, consider using baking soda, or a general purpose cleaner.

### CONTACT DETAILS

For warranty information, please visit our website:

[www.Englefield.co.nz](http://www.Englefield.co.nz)

NEW ZEALAND  
KOHLER NZ LTD

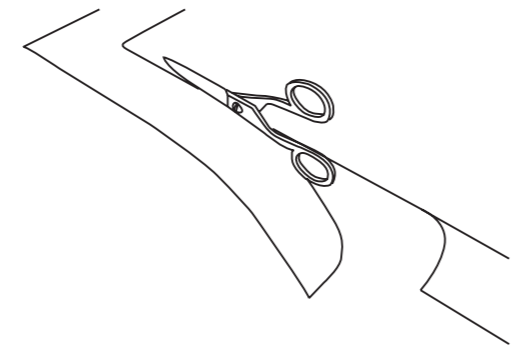
Free Ph: 0800 100 382  
Free Fax: 0800 664 488  
[www.Englefield.co.nz](http://www.Englefield.co.nz)

AUSTRALIA  
KOHLER CO.

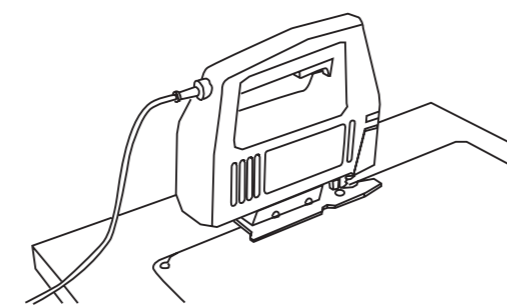
Free Ph: 1300 658 277  
Fax: 02 9618 1189  
[www.Englefield.com](http://www.Englefield.com)

### INSTALLATION INSTRUCTIONS

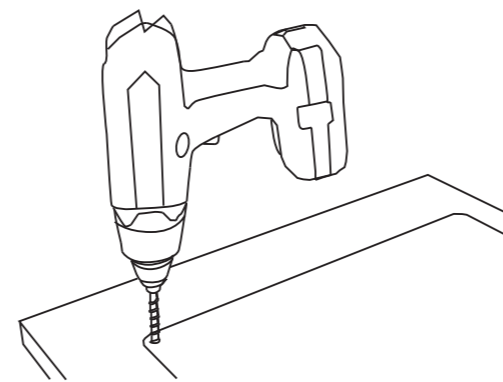
1. Cut along the appropriate line.



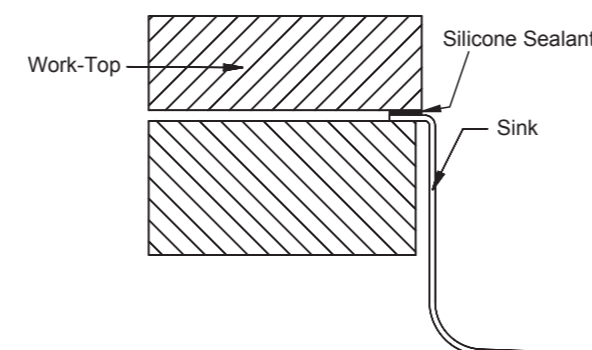
4. Cut along the outline.



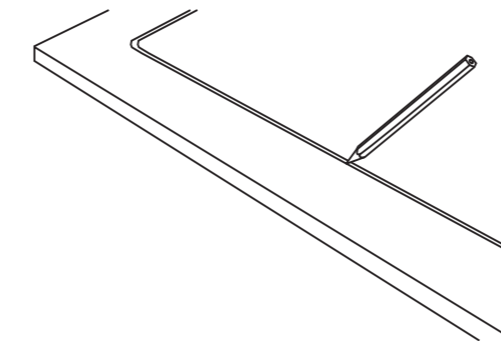
3. Drill a pilot hole inside the cutting line.



5. Construct a wood frame or use mounting clips to support the sink.



2. Put the cut-out template in place, trace the cut-out template onto the countertop.



REAR OF SINK

FRONT OF SINK

1217125-A02-A